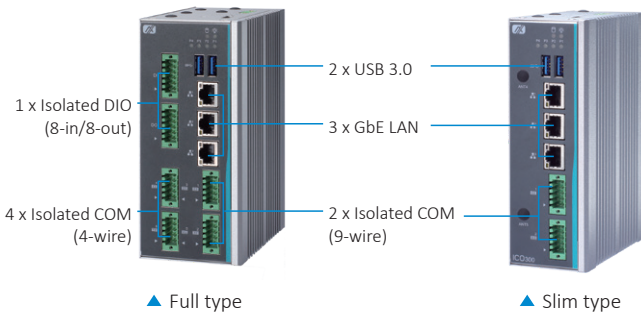


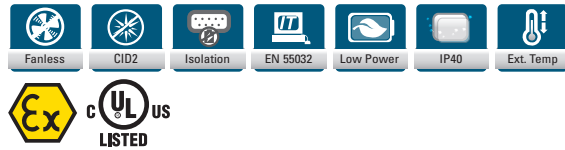
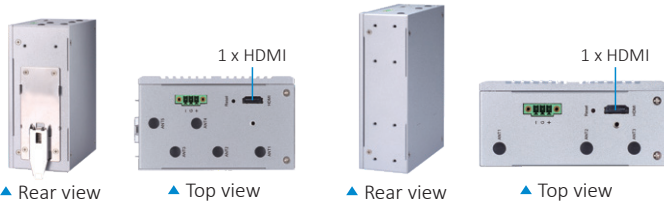
IC0300-83M

ATEX/CID2 Certified DIN-rail Fanless Embedded System with Intel Atom® x5-E3930/x5-E3940 Processor, Isolated COM, LAN and Isolated DIO



Features

- Cost-effective with fanless design
- Intel Atom® x5-E3930/x5-E3940 processor
- 6 isolated COM, isolated DIO (8-in/8-out), 3 GbE LAN
- Wide operating temperature range from -40°C to +85°C
- 9 to 36 VDC, typical 12-24V power input with OVP, UVP, OCP, RPP
- Supports TPM 2.0
- ATEX/Class I Division 2 (CID2) certified
- Supports cold boot at -40°C



Specifications

Standard Color	Silver												
Construction	Extruded aluminum and heavy-duty steel, IP40												
CPU	Intel Atom® x5-E3930 processor, 1.3GHz/2C/6.5W Intel Atom® x5-E3940 processor, 1.6GHz/4C/9.5W												
Chipset	SoC integrated												
System Memory	1 x DDR3L-1600 SO-DIMM, up to 8GB												
BIOS	AMI												
TPM	TPM 2.0												
System I/O Outlet	<table border="0"> <tr> <td>Serial</td> <td>2 x Isolated* RS-232/422/485 (Phoenix type) 4 x Isolated* RS-232/422/485 (4-wire, Phoenix type for full type)</td> </tr> <tr> <td>Display</td> <td>1 x HDMI (up to 1920 x 1080 @60Hz)</td> </tr> <tr> <td>USB</td> <td>2 x USB 3.0</td> </tr> <tr> <td>Ethernet</td> <td>3 x RJ-45 isolated* 10/100/1000 Mbps Ethernet (Intel® i210-IT) *Isolation voltage: 1.5 kV</td> </tr> <tr> <td>DIO</td> <td>1 x Isolated 8-in/8-out DIO (for full type)</td> </tr> <tr> <td>Others</td> <td>5 x Antenna opening</td> </tr> </table>	Serial	2 x Isolated* RS-232/422/485 (Phoenix type) 4 x Isolated* RS-232/422/485 (4-wire, Phoenix type for full type)	Display	1 x HDMI (up to 1920 x 1080 @60Hz)	USB	2 x USB 3.0	Ethernet	3 x RJ-45 isolated* 10/100/1000 Mbps Ethernet (Intel® i210-IT) *Isolation voltage: 1.5 kV	DIO	1 x Isolated 8-in/8-out DIO (for full type)	Others	5 x Antenna opening
Serial	2 x Isolated* RS-232/422/485 (Phoenix type) 4 x Isolated* RS-232/422/485 (4-wire, Phoenix type for full type)												
Display	1 x HDMI (up to 1920 x 1080 @60Hz)												
USB	2 x USB 3.0												
Ethernet	3 x RJ-45 isolated* 10/100/1000 Mbps Ethernet (Intel® i210-IT) *Isolation voltage: 1.5 kV												
DIO	1 x Isolated 8-in/8-out DIO (for full type)												
Others	5 x Antenna opening												
Extension Interface	1 x M.2 Key B 3052: USB 3.0 /PCIe (optional) 1 x Full-size Rev.1.2 PCI Express Mini Card slot: USB (for LTE/Wi-Fi module) 1 x Half-size Rev.1.2 PCI Express Mini Card slot: USB/mSATA (for mSATA) 2 x SIM slot (1 for M.2; 1 for full-size PCI Express Mini Card)												
Storage	SATA Drive 1 x mSATA (occupied 1 x PCI Express Mini Card slot) 1 x Internal 2.5" SATA drive (9.5 mm height) 1 x 8G eMMC on board												
Watchdog Timer	255 levels, 1 to 255 sec.												
Power Supply	1 x Terminal block, 9 to 36 VDC, typical 12/24V												
System Indicators	1 x LED indicator for SATA drive 1 x LED indicator for power 4 x Programmable LED												

Specifications

Operating Temperature	-40°C to +75°C (-40°F to +167°F) Cold boot at -40°C Supports +85°C operating temperature under condition
Humidity	10% to 95%
Vibration Endurance	3 Gms with storage (5 to 500Hz, X/Y/Z direction; random, operating)
Dimensions	51 mm (2.0") (W) x 110 mm (4.33") (D) x 155 mm (6.1") (H) (slim type) 66 mm (2.48") (W) x 110 mm (4.33") (D) x 155 mm (6.1") (H) (full type)
Weight (net/gross)	1.0 kg (2.2 lb)/1.50 kg (3.3 lb)
Certifications	CE (Class A), FCC (Class A)
EMC	CE/FCC UL, ATEX/Class I Division 2
EOS Support	Windows® 10 IoT, Linux
Software Support	eAPI

* See Ordering information

** Wide Temperature. All W.T. supported products have to be sorted by Axiomtek.

Ordering Information

ICO300-83M (P/N: E22C300154)	ATEX/CID2 certified DIN-rail fanless embedded system with Intel Atom® x5-E3930 processor, 1 HDMI, 3 GbE LAN, 6 isolated COM, 1 isolated DIO, 2 USB, WT
ICO300-M3930S-A (P/N: E22C300160)	ATEX/CID2 compliant DIN-rail fanless embedded system with Intel Atom® x5-E3930 processor, 1 HDMI, 3 GbE LAN, 2 isolated COM, 2 USB, WT
ICO300-M3940-A (P/N: E22C300161)	ATEX/CID2 compliant DIN-rail fanless embedded system with Intel Atom® x5-E3940 processor, 1 HDMI, 3 GbE LAN, 6 isolated COM, 1 isolated DIO, 2 USB, WT
ICO300-M3940S-A (P/N: E22C300162)	ATEX/CID2 compliant DIN-rail fanless embedded system with Intel Atom® x5-E3940 processor, 1 HDMI, 3 GbE LAN, 2 isolated COM, 2 USB, WT

Dimensions

