

Anti-Vibration Kit NEW

Features

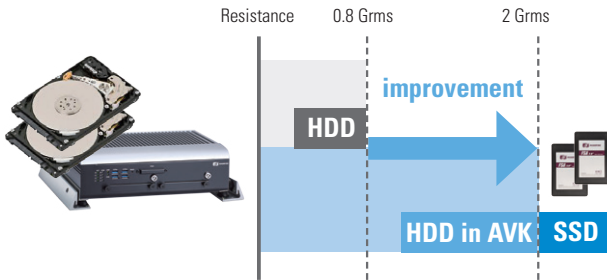
- Equips multidirectional dampers
- Withstands extreme temperatures
- Extends product lifetimes
- Improves HDD stability
- Available for tBOX and UST Series
- Easy installation as wall mount
- Customisable for different application



Specifications

Standard Color	Silver
Construction	Aluminum extrusion and heavy-duty steel and damper
Operating Temperature	-10°C to +60°C (32°F to +140°F)
Vibration Reliability	2Grm with tBOX/UST systems equipping HDD/(5 to 500Hz, X/Y/Z direction; random pulse shape, operating)

HDD Anti-Vibration Improvement

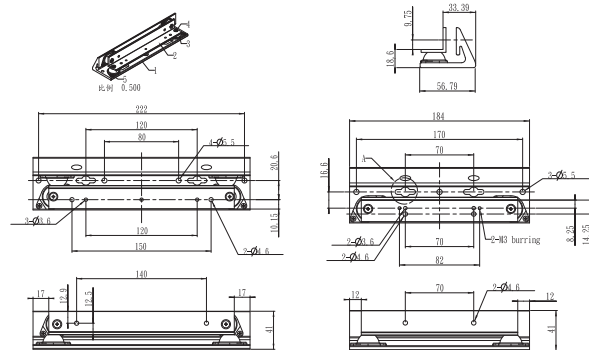


*For more information of vibration test, please contact Axiomtek's regional distributor

Ordering Information

Anti-vibration Kit (P/N: 8816N5008A0E)	<ul style="list-style-type: none"> • For in-vehicle/rolling stock applicable systems which improves HDD/SSD stability • To be used with tBOX300/324/400/500 & UST500 series
Anti-vibration Kit (P/N: 8816N1000A0E)	<ul style="list-style-type: none"> • For in-vehicle/rolling stock applicable systems which improves HDD/SSD stability • To be used with UST100/tBOX810/tBOX100

Dimensions

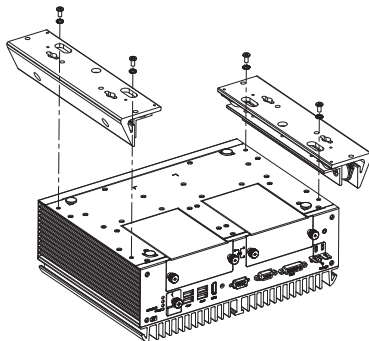


8816N5008A0E

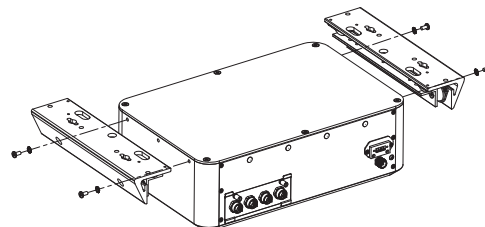
8816N1000A0E

Installation Diagram

Simply fasten the anti-vibration kit to the system via the wall mount screw holes as illustrated shown.



UST500 installation



tBOX300 installation