

GOT712S-837

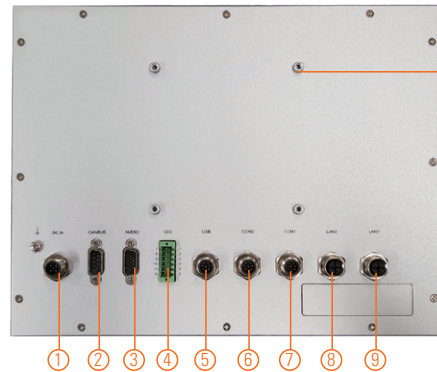
EN 50155 S3 12.1" XGA TFT LCD Railway Fanless Touchscreen Panel PC with Intel® Atom® Processor E3845 1.91 GHz (-40°C to +70°C)

Features

- Sunlight readable 12.1" XGA TFT LCD with a high brightness rating of 800 nits
- Fanless with Intel® Atom® processor E3845 1.91 GHz
- All lockable connectors design
- Auto-dimming for different environments
- -40°C to +70°C wide temperature range
- Typical 24 to 110 VDC wide power input range, and EN 50155 Class S3 20ms power interruption protection
- EN 50155 and EN 45545-2 certified for railway applications



▲ Side view



VESA 100

1. DC power input
2. CANbus with isolation 1.5kV
3. Audio (line-in, mic-in, speaker-out or line-out)
4. DIO (6-in/2-out with isolation 1.5kV)
5. 2 x USB 2.0
6. 1 x RS-232/422/485 with isolation 1.5kV
7. 1 x RS-232/422/485 with isolation 1.5kV
8. 1 x GbE with isolation 1.5kV
9. 1 x GbE with isolation 1.5kV



Introduction

The EN 50155 railway touchscreen panel PC, GOT712S-837, is equipped with a 12.1-inch XGA TFT LCD with high brightness LED backlight (800 nits), which allows a train operator to easily read any operational status messages, even under direct sunlight. Designed for railway application, this all-in-one 12.1" touch panel PC supports various power input from 24 to 110 VDC. This feature-rich panel PC has an IP65-rated front bezel, M12 connectors and EN 50155 certified.

Wide Temperature (-40°C to +70°C)

The Intel® Atom®-based railway panel PC, GOT712S-837, applies unique extended temperature technology with wide temperature range support as well as fanless operation. It also has a high brightness display and compact design for transport heavy-duty environment.

Designed for Railway Application

The GOT712S-837 is particularly suitable for demanding HMI applications in the railway sector, including tasks like monitoring and controlling speed, temperature, and security, or for fleet management. To ensure the reliable operation in a variety of different locations, the 12.1-inch railway panel PC supports various mounting options such as wall mount, VESA mount, and suspension mount. Moreover, it is also ready for Windows® 10 IoT and Windows® 10, 8/8.1 and 7.

Specifications

Front Bezel	IP65-rated aluminum front bezel and IP40-rated rear protection		
LCD Panel	Display Type	12.1" TFT LCD	
	Brightness (cd/m ²)	800 nits	
	Resolution	1024 x 768	
	Viewing Angle (H/V)	160°/160°	
Main System	CPU	Intel® Atom® processor E3845 1.91 GHz (Bay Trail)	
	Chipset	SoC integrated	
	System Memory	DDR3L 4GB onboard	
	BIOS	AMI	
	Storage	16GB flash onboard 1 x mSATA	
	Watchdog Timer	255 levels, 1 to 255 sec.	
	Onboard Graphics	Integrated in Intel® GFX	

Specifications

I/O Connector	2 x Isolated M12 A-coded RS-232/422/485 (isolation level 1.5kV) 2 x Isolated M12 X-coded GbE (isolation level 1.5kV) 1 x M12 A-coded USB 2.0 (2 port signal) 1 x M12 A-coded DC-in 1 x DB15 audio line-in, mic-in, speaker-out or line-out 1 x Isolated terminal block DIO (6-in/2-out, isolation level 1.5kV) 1 x Isolated DB9 CANbus (isolation level 1.5kV)
Expansion Interface	2 x PCI Express Mini Card slot
Touchscreen	5-wire resistive touchscreen
Power Supply	Typical 24 to 110 VDC EN 50155 S3 20ms power interruption protection
Power Consumption	24-110VDC@1.7-0.32A
Dimensions	330 mm (12.99") (W) x 61.5 mm (2.42") (D) x 245 mm (9.65") (H)
Packing Dimensions	520 mm (20.47") (W) x 196 mm (7.72") (D) x 552 mm (21.73") (H)
Weight (net/gross)	2.95 kg (6.50 lb)/5.35 kg (11.79 lb)
Operating Temperature	-40°C to +70°C (-40°F to +158°F)
Relative Humidity	10% - 95% @ +40°C, non-condensing
Certifications	CE/FCC Class A, EN 50155, EN 50121-3-2, EN 61373, EN 45545-2

* W.T.: Wide Temperature. All W.T. supported products have to be sorted by Axiomtek.

Packing List

1 x GOT712S-837 unit
1 x Phoenix connector

Ordering Information

GOT712S-837-R-E3845-24- 12" XGA railway fanless touch panel computer with Intel® 110VDC Atom® E3845, sunlight readable LCD (800 nits), 5-wire resistive touchscreen, 24 to 110 VDC power input, and S3 20ms power interruption protection
(P/N: E22B712102)

*Specifications and certifications may vary based on different requirements.

Optional Accessories

822B7100140E	GOT712 3G+GPS kit
8812B7100A0E	GOT712 Wi-Fi kit
594B8122820E	M12 A-coded USB cable
594B7102100E	RS-232 cable
594B7102700E	M12 X-coded LAN cable
594B7100B00E	M12 DC-in power cable with ACC signal, length 1.8M

Optional EOS Installation

WES 7
Windows® 10 (IoT)

Optional OS Installation

Windows® 7
Windows® 8/8.1
Windows® 10
Windows® 10 IoT

Dimensions

